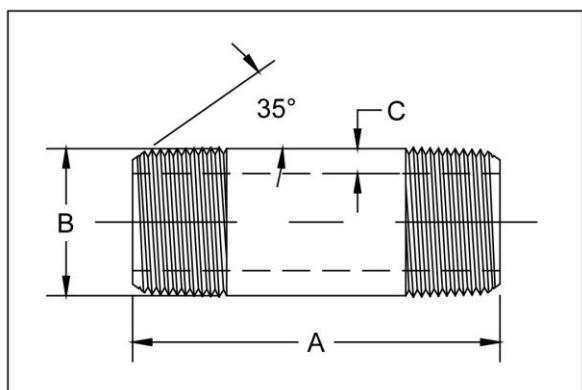


BS1387 Galvanized pipe nipples

Type- Carbon steel, BS 1387; welded
 Galvanized, Hot-dipped.
 BSPT, ISO7/1.



Size		Threaded Tube BS 1387					Length	
		O.D. B, mm		Wall thickness S, mm			Running nipples	Barrel nipples
DN	inch	Light	Medium / Heavy	Light	Medium	Heavy	L,mm	L, mm
6	1/8	10.2	10.2	1.6	2.0		16	30mm - 2500mm
8	1/4	13.6	13.9	1.8	2.3	2.9	18	30mm - 2500mm
10	3/8	17.1	17.4	1.8	2.3	2.9	22	30mm - 2500mm
15	1/2	21.4	21.7	2.0	2.6	3.2	25	30mm - 2500mm
20	3/4	26.9	27.2	2.3	2.6	3.2	30	30mm - 2500mm
25	1	33.8	34.2	2.6	3.2	4.0	35	30mm - 2500mm
32	1 1/4	42.5	42.9	2.6	3.2	4.0	38	30mm - 2500mm
40	1 1/2	48.4	48.8	2.9	3.2	4.0	38	30mm - 2500mm
50	2	60.2	60.8	2.9	3.6	4.5	45	30mm - 2500mm
65	2 1/2	76.0	76.6	3.2	3.6	4.5	55	30mm - 2500mm
80	3	88.7	89.5	3.2	4.0	5.0	60	30mm - 2500mm
100	4	113.9	114.9	3.6	4.5	5.4	70	30mm - 2500mm
125	5		139.7		5.0	5.4	85	30mm - 2500mm
150	6		165.1		5.0	5.4	100	30mm - 2500mm