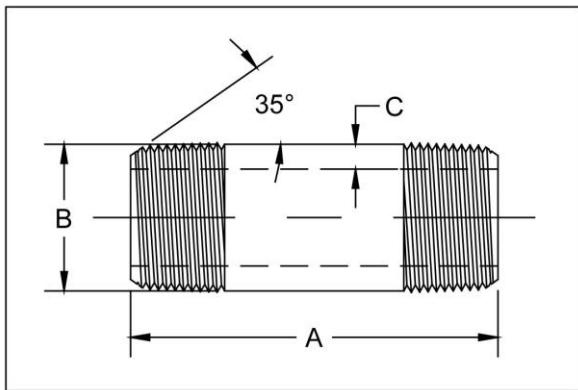


ASTM A733 Black pipe nipple

Material: ASTM A53, Sch40 standard specification for pipe steel; Welded and Seamless
 Black,
 Threads: ANSI/ASME B 1.20.1



Pipe Size	B Pipe O.D.	A, Length																
		Close	Space															
1/8"	.405	3/4	1 1/2	2	2 1/2	3	3 1/2	4	4 1/4	5	5 1/2	6	7	8	9	10	11	12
1/4"	.540	7/8	1 1/2	2	2 1/2	3	3 1/2	4	4 1/4	5	5 1/2	6	7	8	9	10	11	12
3/8"	.675	1	1 1/2	2	2 1/2	3	3 1/2	4	4 1/4	5	5 1/2	6	7	8	9	10	11	12
1/2"	.840	1 1/8	1 1/2	2	2 1/2	3	3 1/2	4	4 1/4	5	5 1/2	6	7	8	9	10	11	12
3/4"	1.050	1 3/8	1 1/2	2	2 1/2	3	3 1/2	4	4 1/4	5	5 1/2	6	7	8	9	10	11	12
1"	1.315	1 1/2		2	2 1/2	3	3 1/2	4	4 1/4	5	5 1/2	6	7	8	9	10	11	12
1 1/4"	1.660	1 5/8		2	2 1/2	3	3 1/2	4	4 1/4	5	5 1/2	6	7	8	9	10	11	12
1 1/2"	1.900	1 3/4		2	2 1/2	3	3 1/2	4	4 1/4	5	5 1/2	6	7	8	9	10	11	12
2"	2.375	2			2 1/2	3	3 1/2	4	4 1/4	5	5 1/2	6	7	8	9	10	11	12
2 1/2"	2.875	2 1/2				3	3 1/2	4	4 1/4	5	5 1/2	6	7	8	9	10	11	12
3"	3.500	2 5/8				3	3 1/2	4	4 1/4	5	5 1/2	6	7	8	9	10	11	12
4"	4.500	2 7/8						4	4 1/4	5	5 1/2	6	7	8	9	10	11	12
5"	5.563	3							4 1/4	5	5 1/2	6	7	8	9	10	11	12
6"	6.625	3 1/8							4 1/4	5	5 1/2	6	7	8	9	10	11	12
8"	8.625	3 1/2							4 1/4	5	5 1/2	6	7	8	9	10	11	12

NOTE:

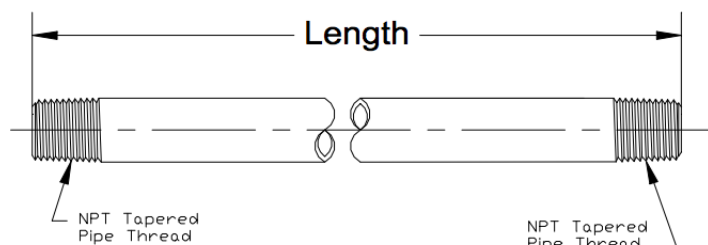
MINIMUM WALL THICKNESS AT ANY POINT TO BE NOT MORE THAN 12.5% UNDER NOMINAL WALL THICKNESS SPECIFIED FOR THAT SIZE PIPE.

READY CUT PIPE Threaded Both Ends

Ready Cut Pipe

Material: ASTM A53 / ASTM A106 Standard Specification for pipe steel; Welded and Seamless
 Black,

Threads: ANSI/ASME B 1.20.1



Ready Cut Pipe

Material: ASTM A53 / ASTM A106 Standard Specification for pipe steel; Welded and Seamless
 Black and Hot-Dipped,

Threads: ANSI/ASME B 1.20.1

Pipe Size	Length									
	18"	24"	30"	36"	42"	48"	54"	60"	66"	72"
1/8"	18"	24"	30"	36"	42"	48"	54"	60"	66"	72"
1/4"	18"	24"	30"	36"	42"	48"	54"	60"	66"	72"
3/8"	18"	24"	30"	36"	42"	48"	54"	60"	66"	72"
1/2"	18"	24"	30"	36"	42"	48"	54"	60"	66"	72"
3/4"	18"	24"	30"	36"	42"	48"	54"	60"	66"	72"
1"	18"	24"	30"	36"	42"	48"	54"	60"	66"	72"
1 1/4"	18"	24"	30"	36"	42"	48"	54"	60"	66"	72"
1 1/2"	18"	24"	30"	36"	42"	48"	54"	60"	66"	72"
2"	18"	24"	30"	36"	42"	48"	54"	60"	66"	72"